



Just Introduced

60 Amp Non-fused AC Disconnect / GFCI Receptacle Combination

Features and Benefits

- 240 Volt ac, Single phase, NEMA 3R rated
- Available with Pullout or Non-Auto Switch
- UL & CUL Listed
- Duplex 15 Amp GFCI receptacle included
- Meets NEC #210.63 & # 406.8 (B)(1)
- Compact size – 5”x7”x4”
- Removable Cover (Available 1st Qtr 2003)
- Heavy galvanized "G90" steel with highest quality electro-deposition finish resists corrosion and fading.
- Covered under one of the following US Patents: RE34113, 52772297, 6337447, 4959514.Cov
- Call your Midwest Electric rep for pricing



Non-Automatic Switch Style

Pull out Style

Application Information

ACD/GFCI Combo provides a convenient low cost means to satisfy NEC (Article 210.63) requirements for Heating, Air Conditioning and Refrigeration Equipment Outlet and (Article 406.8(B)(1)) for Receptacles – Wet Locations. The NEMA 3R design insures a safe, weather tight installation for residential, light commercial and even some industrial applications.

Midwest Electric Powers the Great Outdoors

Midwest Electric Products PO Box 910 Mankato, MN 56001 (507)345-2505 (507)345-2515 FAX
www.midwestelectric.com E-mail: customerservice@midwestelectric.com



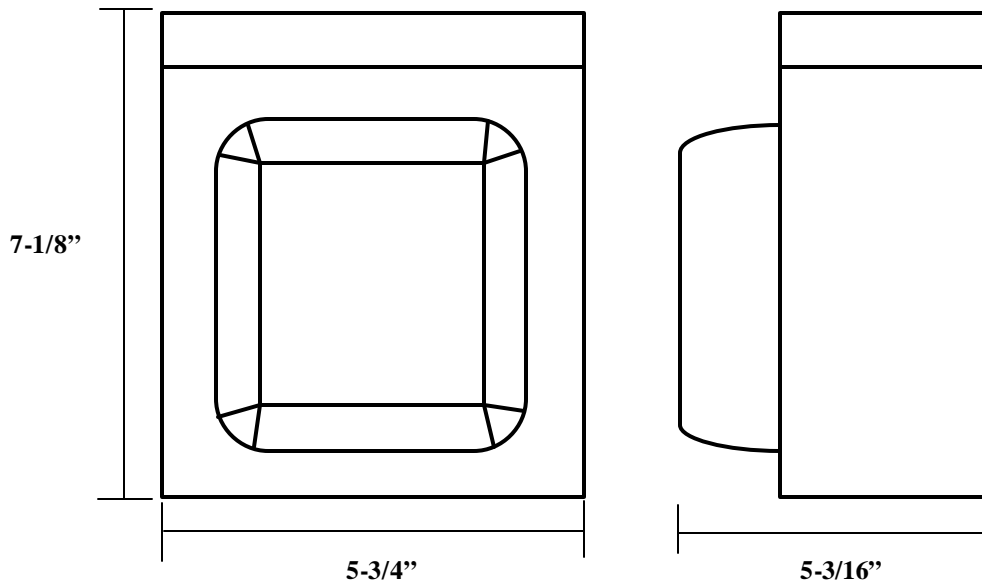
Technical Specifications – ACD/GFCI Specs

Model Numbers:

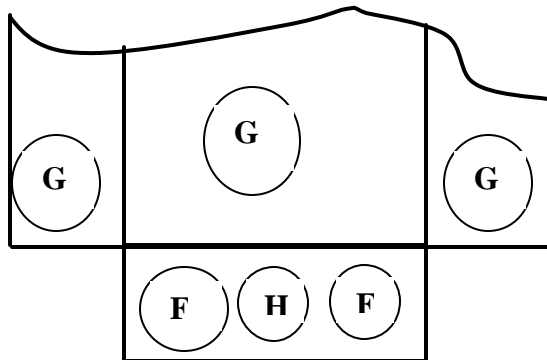
U065P010 – Pull out version

U065NA1010 – Non-Automatic Switch version

Cabinet Dimensions:



Knockout Configurations:



F=1/2", 3/4"

G=1/2", 3/4", 1"

H=1/2", 3/4", 1", 1-1/4"

Preliminary specifications. Data subject to change without notice.